

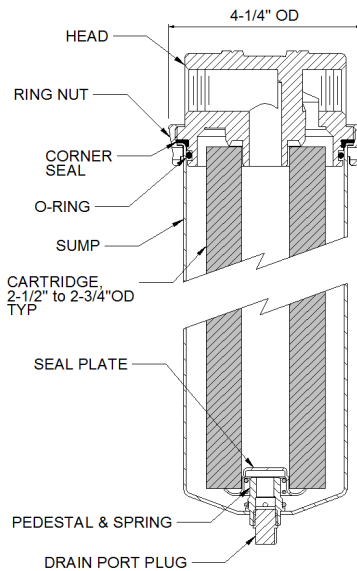
**GFHD Series Single-Cartridge Vessels** are suited for a wide variety of filtration applications. A ring-nut closure provides easy access for change-out. Rated for 300 PSI service, models are available in either 304 or 316 stainless steel construction.

## Features

- DOE design features a spring-loaded bottom seat cup which allows for easy installation and positive seal
- Ring-nut allows for easy change-out (wrench pin is included as standard, spanner wrench is optional)
- 3/4" and 1" inlet and outlet available in NPT and BSPP for ease of installation
- 1/4" NPT dirty drain port allows for complete evacuation prior to change-out
- Available in 5", 10", 20", 30" lengths to accept cartridges up to 3" OD
- 304 or 316 stainless steel construction (passivated finish)
- Offered in DOE, 222/FLAT or 226/FLAT configurations
- Heavy-duty cast head with mounting bracket
- Dual closure seal (EPDM standard)
- 300 PSI pressure rating
- Inline port design

## Alternate Seal Materials (Sold Separately)

- Viton®
- Buna-N
- Teflon® Encapsulated Viton®



## Ordering Information

GFHD1	Length	Inlet/Outlet Size	End Configuration	Material	Pressure Rating
	05 = 5"	75N = 3/4" FNPT	D = DOE	4 = 304 SS	30 = 300 PSI
	1 = 10"	1N = 1" FNPT	2 = 222/FLAT *	6 = 316 SS	
	2 = 20"	75B = 3/4" BSPP**	6 = 226/FLAT*		
	3 = 30"	1B = 1" BSPP**			

\* Available in 316 SS only \*\* Available in 304 SS only

DISCLAIMER: Filtration data presented is representative of performance observed in controlled laboratory testing. It is not given as a warranty, specification or statement of fitness for use. Specific performance can vary widely depending on contaminant type, fluid properties, flow rates and environmental conditions. It is recommended that users conduct thorough qualification testing to assure the product functions as required.